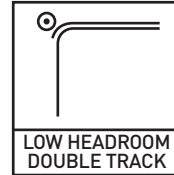
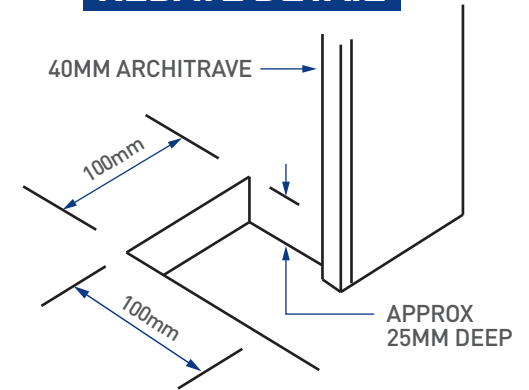


Headroom: Minimum 300mm
Sideroom: Minimum 150mm
Backspace: Door height + 900mm

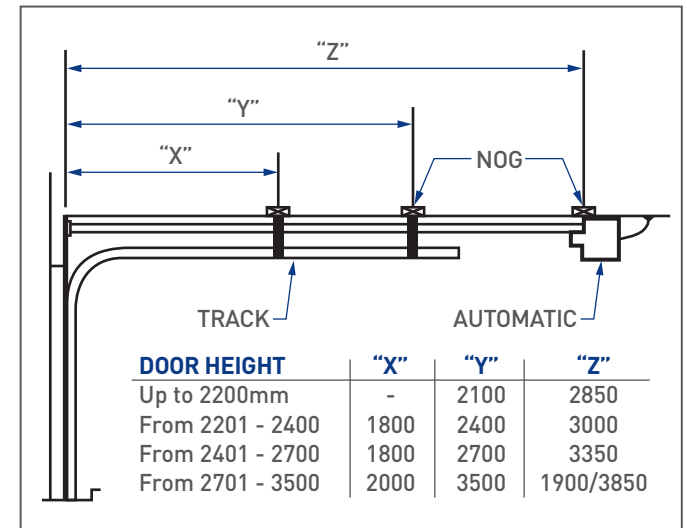
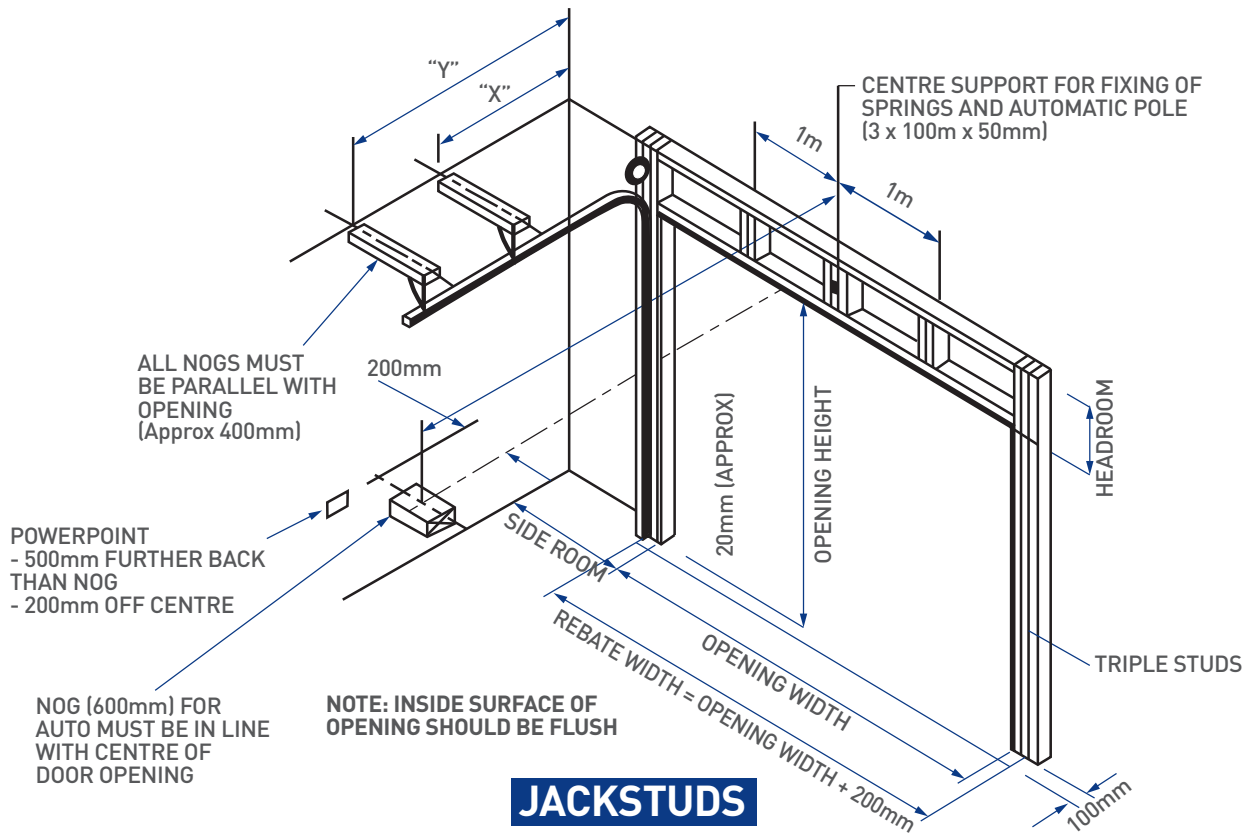


Front Mount
Headroom: 250mm
Sideroom: Minimum 150mm
Backspace: Door height + 1100mm

REBATE DETAIL



NOTE:
- It is recommended to "square stop" between lintel & ceiling
- Architrave Options - 40mm around perimeter
- 140mm floor to ceiling



We recommend square stopping gib at lintel as Gib Cove can interfere with spring/automatic fixing. If Gib Cove used it may require notching out which can look untidy.

PLEASE ENSURE GARAGE FLOOR IS CLEAR OF OBSTRUCTION BEFORE INSTALLER ARRIVES